

## 14L3 Transducer

### USES

- Musculoskeletal imaging
- Pediatric imaging
- Peripheral vessel (vascular) imaging
- Small organ (small parts), including
  - breast imaging
  - testis imaging
  - penile Doppler
- Elastography<sup>1</sup>
- Vector flow imaging (VFI)<sup>2</sup>



Fig.1 14L3 Transducer.

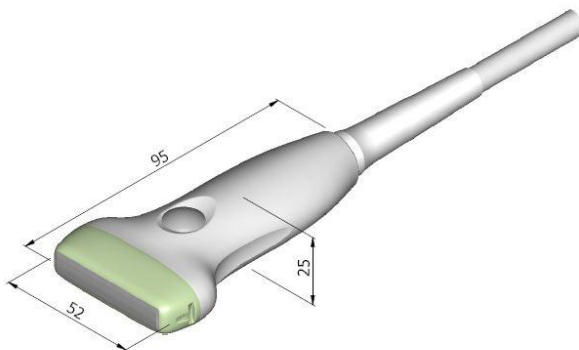


Fig.2 Technical drawing and dimensions (mm).

### BENEFITS

- Combine outstanding image quality in near field with excellent penetration for deeper views
- Very high resolution gives excellent image detail
- Excellent Doppler sensitivity
- Easy to use, with integrated control button on handle
- Expanded sector for a wider field of view<sup>2</sup>

### REPROCESSING

14L3 can be reprocessed using methods listed under Specifications.

- 14L3 is supplied with a watertight plug lid that fits over the connector plug to protect it during reprocessing procedures (including washing) that involve liquids. When the lid is attached, the transducers can be fully immersed. The lid must not be attached when gas processing methods are used.

NOTE: 14L3 has not been licensed by Health Canada.

<sup>1</sup> Elastography on the bk3000 has not been licensed by Health Canada.

<sup>2</sup> VFI on the bk3000 has not been licensed by Health Canada.

## Specifications

	Units	14L3 Transducer
		<b>bk3000</b>
<b>Applications (Typical)</b>		Small organ (small parts), Musculoskeletal (conventional and superficial), Pediatric, Peripheral vessel (vascular)
<b>Basic Imaging Modes</b>		B, M, CFM, Doppler, Tissue Harmonic Imaging), Elastography, VFI
<b>Weight (Approximate)</b>	g	80
<b>Acoustic Aperture</b>	mm	38.4 x 4
<b>Contact Surface (Overall)</b>	Mm	45 x 14
<b>Number of Elements</b>		192
<b>Transverse Focal Length (Typical)</b>	mm	20
<b>Image Plane Focal Length</b>	mm	Variable
<b>Image Field</b>		Trapezoidal: 38.4 mm wide + expansion angle 2 x 15°
<b>Frame Rate (Max)</b>	Hz	165
<b>Dynamic Focus Extension</b>	mm	10 - 75
14L3 = Ref. type 9051		

## Specifications

<p><b>OPERATIONAL FACILITIES</b> Built-in control button</p> <p><b>SAFETY</b> Designed and tested in accordance with EN60601-1 (IEC60601-1), "Medical Electrical Equipment, General Requirements for Safety". When used with BK Medical's systems, Type BF requirements are met.</p> <p><b>ENVIRONMENTAL</b> <b>Operating Pressure:</b> 700–1060 hPa (normal atmospheric pressure) <b>Operating Temperature:</b> +10 to +40 °C (+50 to +104 °F) <b>Storage Temperature:</b> -25 to +70 °C (-13 to +158 °F)</p> <p><b>REPROCESSING</b></p> <ul style="list-style-type: none"> <li>The reprocessing temperature should not exceed +60 °C.</li> <li>Complete details and procedures can be found in <i>Care and Cleaning</i>.</li> <li>Follow manufacturer's instructions for use.</li> </ul>	<p><b>VALIDATED CLEANING AND DISINFECTION</b> <b>For all cleaning and disinfection methods except wiping, plug must be covered.</b></p> <p><b>Manual Cleaning</b> 3E-Zyme™</p> <p><b>Manual Disinfection</b> Ethanol 70% (wiping) Korsorex® Basic Steris® Resert Tristel® Fuse For Instruments</p> <p><b>Automatic Disinfection<sup>1</sup></b> MEDIVATORS® Advantage® Plus, with:</p> <ul style="list-style-type: none"> <li>MEDIVATORS Intercept® Detergent</li> <li>MEDIVATORS Rapicide® PA</li> <li>70% Isopropanol Flush</li> </ul> <p><b>VALIDATED STERILIZATION<sup>1</sup></b> <b>Immersion Methods (plug must be covered)</b> STERIS® SYSTEM 1<sup>®2</sup> and SYSTEM 1E®</p> <p><b>Gas Processes (plug must be uncovered)</b> STERIS® V-Pro™ STERRAD NX™ and 100 NX systems STERRARD® 50, 100S and 200 systems</p>	<p><b>POWER SUPPLY</b> Internally from system</p> <p><b>CABLE LENGTH</b> 2.2 m (7.2 ft)</p> <p><b>TRADEMARKS</b></p> <ul style="list-style-type: none"> <li>3E-Zyme is a trademark of Medisafe UK.</li> <li>Korsorex is a registered trademark of Bode Chemie GmbH.</li> <li>Tristel is a registered trademark of Tristel Pharmaceutical Ltd.</li> <li>V-PRO is a trademark and STERIS, SYSTEM 1E and Resert are registered trademarks of the STERIS Corporation.</li> <li>MEDIVATORS Advantage Plus, Intercept and Rapicide PA are registered trademarks of MEDIVATORS Inc.</li> <li>NX and 100NX are trademarks, and STERRAD is a registered trademark of Advanced Sterilization Products.</li> </ul> <p><sup>1</sup> Automated reprocessing methods validated for 100 cycles. <sup>2</sup> STERIS SYSTEM 1® is not market cleared in the USA.</p>
--	---	--

## Ordering Information

<p><b>ACCESSORIES AVAILABLE</b></p> <p>KE4300: Carrying Case</p> <p>UA1414: Leakage Testing Kit</p>	<p><b>TRANSDUCER COVERS</b></p> <p>UA0009: CIV-Flex™ Cover, Sterile, Latex-Free, 8.9 x 61 cm (pack of 24)</p> <p>UA0004: Cable Covers, Sterile, Latex-Free, 7.6 x 244 cm (Pack of 24)</p> <p>UA0071: CIV-Flex™ Cover, Sterile, Latex-Free, 8.9 x 91.5 cm (Pack of 24)</p> <p>UA0074: Surgi-Tip™ Cover, Sterile, Latex-Free, 20.3 x 244 cm, Telescopically-folded with attached 6 cm NeoGuard tip (Pack of 12)</p>	<p><b>TRADEMARKS</b> CIV-Flex and Surgi-Tip are trademarks of CIVCO Medical Solutions.</p>
---	---	--