

18L5 Transducer

The 18L5 high frequency linear transducer is ideal for near field images and gives superb, detailed images of superficial structures.

- Superior nerve and needle visualization in the near field
- Activate the transducer and freeze, store and print images with one press of the integrated Smart™ button
- Ergonomic design improves operator comfort
- Perform quick, reliable puncture and biopsy procedures with our reusable needle guide
- Advanced transducer connector designed for noise reduction in the ultrasound image and one-handed operation
- Unique, fully-immersible transducer for easy sterilization



Fig. 1 18L5 transducer

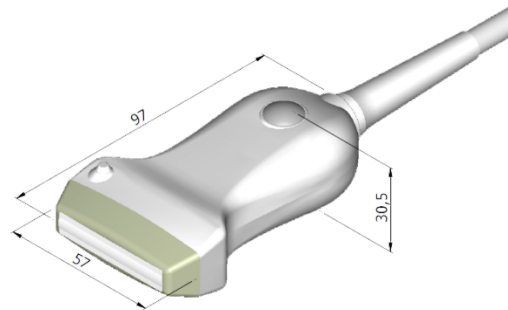


Fig. 2 Technical drawing and dimensions (mm)

Specifications

Transducer Name		18L5
Transducer Reference Type		9070
Compatible Ultrasound Systems		bk3000, bk5000 ¹
Applications (Typical)		Musculoskeletal, Small Organ (Small Parts), Peripheral Vessel (Peripheral Vascular)
Basic Imaging Modes		B, M, CFM, Doppler, Tissue Harmonic Imaging, Elastography
Weight (Approximate)	g	100
Contact Surface (Overall)	mm ²	630
Acoustic Aperture	mm	38.4 x 3.5
Number of Elements		192
Transverse Focal Length (Typical)	mm	15
Image Plane Focal Length	mm	Variable
Image Field		Trapezoidal: 38.4 mm + expansion angle 2 x 15 °
Dynamic Focus Extension	mm	5 - 60
Frame Rate (Max)	Hz	>150

¹ Use of 18L5 on the bk5000 has not been licensed by Health Canada.

Specifications

<p>OPERATIONAL FACILITIES Built-in control button</p> <p>SAFETY Designed and tested in accordance with EN60601-1 (IEC60601-1), "Medical Electrical Equipment, General Requirements for Safety". When used with BK Medical's systems, Type BF requirements are met.</p> <p>ENVIRONMENTAL Operating Pressure: 700–1060 hPa (normal atmospheric pressure) Operating Temperature: +10 to +40 °C (+50 to +104 °F) Storage Temperature: -25 to +70 °C (-13 to +158 °F)</p> <p>REPROCESSING</p> <ul style="list-style-type: none"> The reprocessing temperature should not exceed +60 °C. Complete details and procedures can be found in <i>Care and Cleaning</i>. Follow manufacturer's instructions for use. 	<p>VALIDATED CLEANING AND DISINFECTION For all cleaning and disinfection methods except wiping, plug must be covered.</p> <p>Manual Cleaning 3E-Zyme™</p> <p>Manual Disinfection Ethanol 70% (wiping) Korsolex® Basic Steris® Resert Tristel® Fuse For Instruments</p> <p>Automatic Disinfection¹ MEDIVATORS® Advantage® Plus, with:</p> <ul style="list-style-type: none"> MEDIVATORS Intercept® Detergent MEDIVATORS Rapicide® PA 70% Isopropanol Flush <p>VALIDATED STERILIZATION¹ Immersion Methods (plug must be covered) STERIS® SYSTEM 1®², SYSTEM 1E®, SYSTEM 1 Plus², SYSTEM 1 Express</p> <p>Gas Processes (plug must be uncovered) STERIS® V-Pro™ STERRAD NX™ and 100NX Systems STERRAD 100S and 200 Systems</p>	<p>POWER SUPPLY Internally from system</p> <p>CABLE LENGTH 2.2 m (7.3 ft)</p> <p>¹ Automated reprocessing methods validated for 100 cycles. ² STERIS SYSTEM 1® is not market cleared in the USA.</p>
--	---	--

Ordering Information

<p>ACCESSORIES AVAILABLE</p> <p>KE4300: Carrying Case</p> <p>UA1414: Leakage Testing Kit</p> <p>UA1251: Reusable puncture attachment (variable bore diameter of 0.6 to 3.4 mm; angle of insertion of 30°, 45° and 60° with respect to the long axis of the transducer)</p>	<p>TRANSDUCER COVERS</p> <p>UA0004: Intraoperative cable covers, sterile, latex-free, 7.6 x 244 cm (pack of 24)</p> <p>UA0009: CIV-Flex™ cover, sterile, latex-free, 8.9 x 61 cm (pack of 24)</p>	
---	--	--

Accessories


Reusable Needle Guide UA1251



- **Dimensions:** 48 x 50 x 40 mm
- **Weight:** 50 g
- **Material:** Stainless steel AISI303

 BK Medical ApS, Mileparken 34, 2730 Herlev, Denmark. T +45 4452 8100 F +45 4452 8199



powered by analogic 

BK Ultrasound
8 Centennial Drive
Peabody
MA 01960
USA
T +1 978-326-4000
bkultrasound.com

Sales and Service USA
BK Ultrasound
8 Centennial Drive
Peabody
MA 01960
USA
T +1 978-326-1300
F +1 978-326-1399
bkultrasound.com

Europe and Rest of World
BK Ultrasound
Mileparken 34
2730 Herlev
Denmark
T +45 4452 8100
F +45 4452 8199
bkultrasound.com

Asia
Analogic Medical Equipment
(Shanghai) Co., Ltd.
1377, Lan Dian Road,
Pu Dong New District,
Shanghai, China 201132
bkultrasound.com

The name Analogic is a registered trademark of Analogic Corporation. The globe logo is a trademark of Analogic Corporation.