

20R3 (9052) Transducer

The 20R3 is a high-resolution, 360° anorectal transducer with built-in 3D imaging. The transducer is ideal for visualizing rectal wall layers and anal sphincter damage.

- Fully encapsulated transducer means that no moving parts are in contact with the patient
- Long shaft gives excellent image quality all the way from the anal canal to the sigmoid colon
- Smart Buttons™ on the handle control movement of transducer head back and forth
Smart Buttons™ also activate the transducer and freeze, store, and print images with one press
- Advanced transducer connector designed for noise reduction in the ultrasound image and one-handed operation
- Unique, fully immersible transducer for easy sterilization



Fig. 1 20R3 transducer

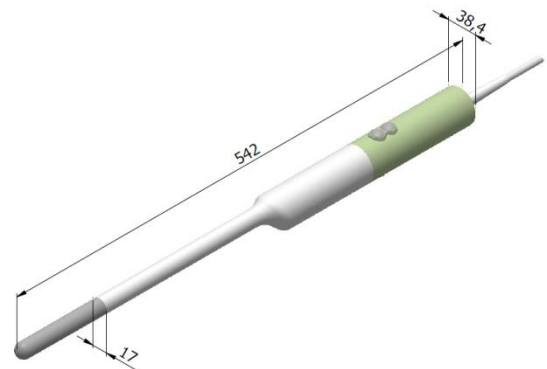


Fig. 2 Technical drawing and dimensions (mm)

Specifications

Transducer Name		20R3	
Transducer Reference Type		9052	
Compatible Ultrasound Systems		bkSpecto, bk3000, bk5000	
Applications (Typical)		Transrectal, Transvaginal	
Basic Imaging Modes		B	
Element		Low	High
Element Diameter	mm	8.5	5
Number of Elements		1	1
Transverse Focal Length (Typical)	mm	19	15
Focal Range	mm	15-50	5-25
Weight (Approximate)	g	850	
Entrance Beam Diameter	mm	Same as Element Diameter	
Image Field		Sector Angle 360°	
Beam Angle to Rotating Axis		90°	

Specifications

<p>OPERATIONAL FACILITIES Three built-in control buttons</p> <p>SAFETY Designed and tested in accordance with current version of EN60601-1 (IEC60601-1) "Medical Electrical Equipment, Part 1". When used with BK Medical's systems, Type B requirements are met.</p> <p>ENVIRONMENTAL Operating Pressure: 700–1060 hPa (normal atmospheric pressure) Operating Temperature: +10 to +40 °C (+50 to +104 °F) Storage Temperature: -25 to +70 °C (-13 to +158 °F)</p> <p>REPROCESSING</p> <ul style="list-style-type: none"> The reprocessing temperature should not exceed +60 °C (+140 °F). Complete details and procedures can be found in <i>Care and Cleaning</i>. Follow manufacturer's instructions for use. 	<p>VALIDATED CLEANING AND DISINFECTION For all cleaning and disinfection methods except wiping, plug must be covered.</p> <p>Manual Cleaning 3E-Zyme™</p> <p>Manual Disinfection Ethanol 70% (wiping) Korsolex® Basic Revital-Ox™ RESERT®/RESERT® XL HLD</p> <p>VALIDATED STERILIZATION¹ Immersion Methods (plug must be covered) STERIS® SYSTEM 1®, SYSTEM 1E®, SYSTEM 1 Plus, SYSTEM 1 Express</p>	<p>POWER SUPPLY Internally from system</p> <p>CABLE LENGTH 2.2 m (7.2 ft)</p> <p>¹ Automated reprocessing methods validated for 100 cycles.</p>
---	--	--

Ordering Information

<p>ACCESSORIES INCLUDED KE4322: Carrying Case</p> <p>ACCESSORIES AVAILABLE UA1414: Leakage Testing Kit</p> <p>UA2431: Reprocessing Tray</p> <p>Water Standoff System: UA0048: Single use water standoff¹ (pack of 12)</p> <p>UA0671: Water standoff collar</p> <p>UA0672: Rectosigmoidoscope with obturator, compatible with Welch Allyn® Light Source</p> <p>UA0673: Rectosigmoidoscope with obturator, compatible with Storz® Light Source</p>	<p>UA0674: O-Rings for UA0671 (pack of 10)</p> <p>UA0675: Glycerin-based lubricant (250 ml)¹</p> <p>UA0682: Light source cable adapter, reusable. For Storz and Wolf Light Sources²</p> <p>UA0683: Single use rectosigmoidoscope²</p>	<p>TRANSDUCER COVERS UA0068: NeoGuard™ sterile, latex-free transducer cover, (2.6 x 30 cm) (pack of 24)</p> <p>UA0037: Non-sterile latex transducer cover (2.6 x 30 cm) (pack of 24)</p> <p>UA0005: Sterile latex transducer cover (2.6 x 30 cm) (pack of 24)</p> <p>¹ Only for sale in the EEA ² Not released for sale in Canada</p>
--	--	--

 BK Medical ApS, Mileparken 34, 2730 Herlev, Denmark. T +45 4452 8100 F +45 4452 8199



BK Medical
8 Centennial Drive
Peabody
MA01960
USA
T + 1 978-326-1300
bkmedical.com

**USA
Sales & Service**
BK Medical
8 Centennial Drive
Peabody
MA01960
USA
T + 1 978-326-1300
F + 1 978-326-1399
bkmedical.com

**Europe and Rest of World
Sales, Service & Design Center**
BK Medical
Mileparken 34
2730 Herlev
Denmark
T +45 4452 8100
F +45 4452 8199
bkmedical.com