

## 6C2s (9023) Transducer

The 6C2s curved array transducer is ideal for kidney and bladder scanning.

- Small array with greater curvature minimizes patient discomfort during intercostal imaging
- Sensitive color Doppler gives excellent renal blood flow and anatomical visualization
- Perform quick, reliable puncture and biopsy procedures with our single-use and reusable needle guides
- Activate the transducer and freeze, store, and print images with one press of the integrated Smart Button™
- Ergonomic design improves operator comfort
- Advanced transducer connector designed for noise reduction in the ultrasound image and one-handed operation
- Unique, fully immersible transducer for easy sterilization



Fig. 1 6C2s transducer

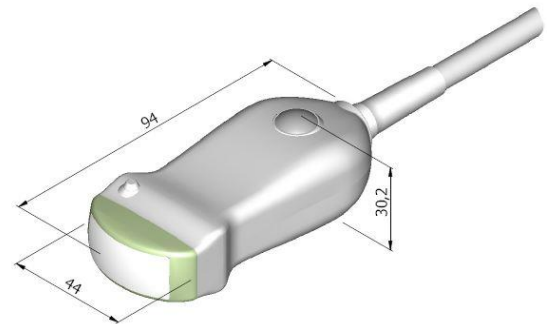


Fig. 2 Technical drawing and dimensions (mm)

## Specifications

<b>Transducer Name</b>		6C2s
<b>Transducer Reference Type</b>		9023
<b>Compatible Ultrasound Systems</b>		bkSpecto, bk3000, bk3500, bk5000
<b>Applications (Typical)</b>		Abdominal, Fetal, Pediatrics
<b>Basic Imaging Modes<sup>1</sup></b>		B, M, Doppler, CFM, Tissue Harmonic Imaging, Contrast Imaging
<b>Weight (Approximate)</b>	g	90
<b>Acoustic Aperture</b>	mm	31 x 12
<b>Contact Surface (Overall)</b>	mm	33 x 12
<b>Number of Elements</b>		160
<b>Radius of Curvature</b>	mm	31
<b>Transverse Focal Length (Typical)</b>	mm	70
<b>Image Plane Focal Length</b>	mm	Variable
<b>Image Field</b>		Sector: 62° Expanded Sector: 92°
<b>Focal Range</b>	mm	40-150
<b>Frame Rate (Max)</b>	Hz	> 150

<sup>1</sup> Not all systems support all imaging modes.

## Specifications

<p><b>OPERATIONAL FACILITIES</b> Built-in control button</p> <p><b>SAFETY</b> Designed and tested in accordance with current version of EN60601-1 (IEC60601-1) "Medical Electrical Equipment, Part 1". When used with BK Medical's systems, Type BF requirements are met.</p> <p><b>ENVIRONMENTAL</b> <b>Operating Pressure:</b> 700–1060 hPa (normal atmospheric pressure) <b>Operating Temperature:</b> +10 to +40 °C (+50 to +104 °F) <b>Storage Temperature:</b> -25 to +70 °C (-13 to +158 °F)</p> <p><b>REPROCESSING</b></p> <ul style="list-style-type: none"> <li>• The reprocessing temperature should not exceed +60 °C.</li> <li>• Complete details and procedures can be found in <i>Care and Cleaning</i>.</li> <li>• Follow manufacturer's instructions for use.</li> </ul>	<p><b>VALIDATED CLEANING AND DISINFECTION</b> For all cleaning and disinfection methods except wiping, plug must be covered.</p> <p><b>Manual Cleaning</b> 3E-Zyme™</p> <p><b>Manual Disinfection</b> Ethanol 70% (wiping) Korsorex® Basic Revital-Ox™ RESERT®/RESERT® XL HLD Tristel® Fuse for Stella</p> <p><b>Automatic Disinfection<sup>1</sup></b> MEDIVATORS® Advantage® Plus, with:</p> <ul style="list-style-type: none"> <li>• MEDIVATORS Intercept® Detergent</li> <li>• MEDIVATORS Rapicide® PA</li> <li>• 70% Isopropanol Flush</li> </ul> <p><b>VALIDATED STERILIZATION<sup>1</sup></b> <b>Immersion Methods (plug must be covered)</b> STERIS® SYSTEM 1®, SYSTEM 1E®, SYSTEM 1 Plus, SYSTEM 1 Express</p> <p><b>Gas Processes (plug must be uncovered)</b> STERIS® V-Pro™ STERRAD NX™ and 100NX Systems STERRAD 100S and 200 Systems</p>	<p><b>POWER SUPPLY</b> Internally from system</p> <p><b>CABLE LENGTH</b> 2.8 m (9.2 ft)</p> <p><sup>1</sup> Automated reprocessing methods validated for 100 cycles.</p>
---	--	--

## Ordering Information

<p><b>ACCESSORIES AVAILABLE</b></p> <p>KE4300: Carrying Case</p> <p>UA1414: Leakage Testing Kit</p> <p>UA1250: Reusable puncture attachment (bore diameter variable from 0.6 to 2.4mm; angle of insertion 18° to the long axis of the transducer)</p> <p>UA1341: Puncture attachment kit. Contains: 1 reusable bracket, 5 sterile Ultra-Pro 3™ needle guides with transducer cover and gel</p> <p>UA0013: Sterile Ultra-Pro 3™ needle guides (pack of 24)</p> <p>UA2442: Reprocessing Tray</p>	<p><b>TRANSDUCER COVERS</b></p> <p>UA0004: Cable covers, sterile, latex-free, 7.6 x 244 cm (pack of 24)</p> <p>UA0009: CIV-Flex™ cover, sterile, latex-free, 8.9 x 61 cm (pack of 24)</p> <p>UA0071: CIV-Flex™ Cover, sterile, latex-free, 8.9 x 91.5 cm (pack of 24)</p> <p>UA0076: CIV-Flex™ cover, sterile, latex-free, 14 x 147 cm (pack of 24)</p>	
--	---	--

## Accessories

### Reusable Puncture Attachment UA1250



- **Dimensions:** 38 x 39 x 45 mm
- **Weight:** 40 g
- **Material:** Stainless steel AISI303

### UA0013 Needle Guide with Biopsy Bracket UA1341



- **Dimensions:** 40 x 31 x 39 mm
- **Weight:** 8 g
- **Material:** Polyoxymethylene plastic (POM)

 BK Medical ApS, Mileparken 34, 2730 Herlev, Denmark. T +45 4452 8100 F +45 4452 8199

**BK Medical**  
8 Centennial Drive  
Peabody  
MA01960  
USA  
T + 1 978-326-1300  
bkmedical.com

**USA  
Sales & Service**  
BK Medical  
8 Centennial Drive  
Peabody  
MA01960  
USA  
T + 1 978-326-1300  
F + 1 978-326-1399  
bkmedical.com

**Europe and Rest of World  
Sales, Service & Design Center**  
BK Medical  
Mileparken 34  
2730 Herlev  
Denmark  
T +45 4452 8100  
F +45 4452 8199  
bkmedical.com

**China  
Sales & Service**  
Analogic Medical Equipment (Shanghai) Co., Ltd.  
1377, Lan Dian Road  
Pu Dong New District Shanghai  
China 201132  
T +86 21 2089 0333  
bkmedical.com  
T +86 21 2089 0333  
bkmedical.com

