

## E10C4 (9019) Transducer

The E10C4 endovaginal transducer provides superior image quality and detail at depth, and is ideal for all-round gynecological examinations.

- Sleek design minimizes patient discomfort, and ergonomic design improves operator comfort
- Advanced transducer connector designed for noise reduction in the ultrasound image and one-handed operation
- Perform quick, reliable puncture, and biopsy procedures with our single-use and reusable needle guides
- Unique, fully immersible transducer for easy sterilization



Fig. 1 E10C4 transducer

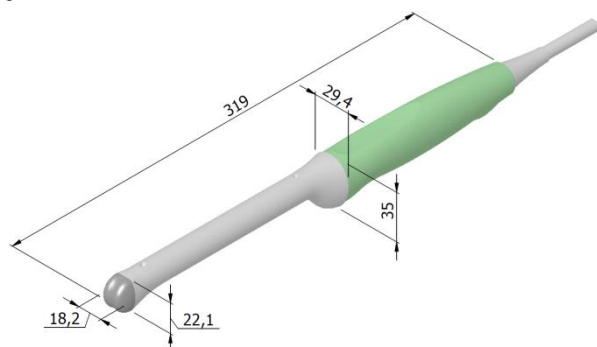


Fig. 2 Technical drawing and dimensions (mm)

## Specifications

<b>Transducer Name</b>		E10C4
<b>Transducer Reference Type</b>		9019
<b>Compatible Ultrasound Systems</b>		bkSpecto, bk3000, bk3500, bk5000
<b>Applications (Typical)</b>		Transvaginal, Transrectal, Fetal (incl. Obstetrics)
<b>Basic Imaging Modes<sup>1</sup></b>		B, M, Doppler, CFM, Tissue Harmonic Imaging, Elastography <sup>2</sup>
<b>Weight (Approximate)</b>	g	140
<b>Acoustic Aperture</b>	mm	26 x 5
<b>Contact Surface (Overall)</b>	mm	22 x 18
<b>Number of Elements</b>		128
<b>Radius of Curvature</b>	mm	10
<b>Transverse Focal Length (Typical)</b>	mm	35
<b>Image Plane Focal Length</b>	mm	Variable
<b>Image Field</b>		Sector 150°
<b>Focal Range</b>	mm	3 – 60
<b>Frame Rate (Max)</b>	Hz	>150

<sup>1</sup> Not all systems support all imaging modes.

<sup>2</sup> Imaging mode is not available on the bkSpecto in Japan.

## Specifications

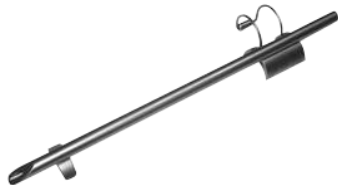
<p><b>SAFETY</b> Designed and tested in accordance with current version of EN60601-1 (IEC60601-1) "Medical Electrical Equipment, Part 1". When used with BK Medical's systems, Type BF requirements are met.</p> <p><b>ENVIRONMENTAL</b> <b>Operating Pressure:</b> 700–1060 hPa (normal atmospheric pressure) <b>Operating Temperature:</b> +10 to +40 °C (+50 to +104 °F) <b>Storage Temperature:</b> -25 to +70 °C (-13 to +158 °F)</p> <p><b>REPROCESSING</b></p> <ul style="list-style-type: none"> <li>The reprocessing temperature should not exceed +60 °C.</li> <li>Complete details and procedures can be found in <i>Care and Cleaning</i>.</li> <li>Follow manufacturer's instructions for use.</li> </ul>	<p><b>VALIDATED CLEANING AND DISINFECTION</b> For all cleaning and disinfection methods except wiping, plug must be covered.</p> <p><b>Manual Cleaning</b> 3E-Zyme™</p> <p><b>Manual Disinfection</b> Ethanol 70% (wiping) Korsolex® Basic Revital-Ox™ RESERT®/RESERT® XL HLD Tristel® Fuse for Stella</p> <p><b>Automatic Disinfection</b> MEDIVATORS® Advantage® Plus, with:</p> <ul style="list-style-type: none"> <li>MEDIVATORS Intercept® Detergent</li> <li>MEDIVATORS Rapiocide® PA</li> <li>70% Isopropanol Flush</li> </ul> <p><b>VALIDATED STERILIZATION<sup>1</sup></b> <b>Immersion Methods (plug must be covered)</b> STERIS® SYSTEM 1®, SYSTEM 1E®, SYSTEM 1 Plus, SYSTEM 1 Express</p> <p><b>Gas Processes (plug must be uncovered)</b> STERIS® V-Pro™ STERRAD NX™ and 100NX Systems STERRAD 100S and 200 Systems</p>	<p><b>POWER SUPPLY</b> Internally from system</p> <p><b>CABLE LENGTH</b> 2.2 m (7.3 ft)</p> <p><sup>1</sup> Automated reprocessing methods validated for 100 cycles.</p>
----------------------------------------------------------------------------------------------------------------------------------------------------------------------------------------------------------------------------------------------------------------------------------------------------------------------------------------------------------------------------------------------------------------------------------------------------------------------------------------------------------------------------------------------------------------------------------------------------------------------------------------------------------------------------------------------------------------------------------------------------	---------------------------------------------------------------------------------------------------------------------------------------------------------------------------------------------------------------------------------------------------------------------------------------------------------------------------------------------------------------------------------------------------------------------------------------------------------------------------------------------------------------------------------------------------------------------------------------------------------------------------------------------------------------------------------------------------------------------------------------------------------------------------------------------------------------------------------------------------------------------------------------	----------------------------------------------------------------------------------------------------------------------------------------------------------------------------------

## Ordering Information

<p><b>ACCESSORIES AVAILABLE</b></p> <p>KE4326: Carrying case</p> <p>21377: Insert for carrying case</p> <p>UA1282: Reusable needle guide (bore diameter 1.8mm; angle of insertion 0.9° to the long axis of the transducer). Includes 3 single-use cleaning brushes (QZ0040).</p> <p>610-958: CIVCO single-use needle guide for 16 gauge needles; angle of insertion 0° (pack of 24). Can be purchased from BK Medical as UA1350.</p> <p>QZ0040: Single-use cleaning brush, thin</p> <p>UA1414: Leakage testing kit</p> <p>UA2438: Reprocessing tray</p>	<p><b>TRANSDUCER COVERS</b></p> <p>UA0005: Covers, sterile, latex, 2.6 x 30 cm (pack of 24)</p> <p>UA0004*: Cable covers, sterile, latex-free, 7.6 x 244 cm (pack of 24)</p> <p>UA0008*: CIV-Flex™ sterile cover, latex-free, 11.9 cm tapered to 3.8 x 61 cm (pack of 24)</p> <p>UA0052: Eclipse® cover, non-sterile, latex-free, pre-gelled, 8.3 cm tapered to 4.3 x 24.1 cm (pack of 100)</p> <p>* Must be used together.</p>	
---------------------------------------------------------------------------------------------------------------------------------------------------------------------------------------------------------------------------------------------------------------------------------------------------------------------------------------------------------------------------------------------------------------------------------------------------------------------------------------------------------------------------------------------------------	---------------------------------------------------------------------------------------------------------------------------------------------------------------------------------------------------------------------------------------------------------------------------------------------------------------------------------------------------------------------------------------------------------------------------------	--

## Accessories

### Reusable Needle Guide UA1282



- **Dimensions:** 170 x 25 x 22 mm
- **Weight:** 42 g
- **Materials:** Stainless steel AISI303 and AISI304

### Single-Use Needle Guide CIVCO 610-958

Can be purchased from BK Medical as UA1350



- **Dimensions:** 168 x 22 x 19 mm
- **Weight:** 15 g
- **Materials:** ABS and stainless steel AISI304

 BK Medical ApS, Mileparken 34, 2730 Herlev, Denmark. T +45 4452 8100 F +45 4452 8199

**BK Medical**  
8 Centennial Drive  
Peabody  
MA01960  
USA  
T + 1 978-326-1300  
bkmedical.com

**USA  
Sales & Service**  
BK Medical  
8 Centennial Drive  
Peabody  
MA01960  
USA  
T + 1 978-326-1300  
F + 1 978-326-1399  
bkmedical.com

**Europe and Rest of World  
Sales, Service & Design Center**  
BK Medical  
Mileparken 34  
2730 Herlev  
Denmark  
T +45 4452 8100  
F +45 4452 8199  
bkmedical.com

**China  
Sales & Service**  
BK Medical Technology Shanghai Co., Ltd.  
Room 602, 6<sup>th</sup> Floor (the actual floor is 5<sup>th</sup> floor)  
No. 1, Lane 777, Wanrong Road  
Jing'an District, Shanghai  
China  
T +86 21 3603 6378  
bkmedical.com

**bk medical** 