

E11C3b (9008) Transducer

The E11C3b is a high-resolution biplane transducer ideal for prostate biopsies, examination, and diagnostics.

- Simultaneous biplane imaging gives you greater confidence in biopsy guidance. Use both sagittal and transverse views for better orientation during needle placement
- Unique Smart Buttons™ let you switch easily between sagittal and transverse planes. The buttons also freeze, print, and store images with one press
- Sleek design minimizes patient discomfort, and ergonomic design improves operator comfort
- Advanced transducer connector designed to reduce noise in the ultrasound image, and for convenient one-handed operation
- Perform quick, reliable puncture and biopsy procedures with our single-use or reusable needle guides
- Unique, fully immersible transducer for easy sterilization



Fig. 1 E11C3b transducer

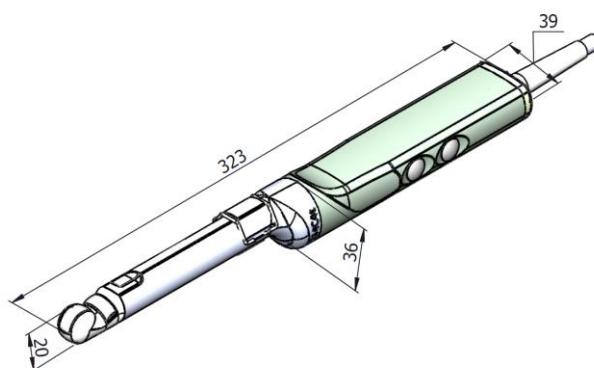


Fig. 2 Technical drawing and dimensions (mm)

Specifications

Transducer Name		E11C3b	
Transducer Reference Type		9008	
Compatible Ultrasound Systems		bkSpecto	
Applications (Typical)		Transrectal	
Basic Imaging Modes		B, M, CFM, Doppler, Tissue Harmonic Imaging, Elastography	
Imaging Plane		Transverse	Sagittal
Number of Elements		96	96
Radius of Curvature	mm	9.7	9.7
Image Field	°	126	126
Acoustic Aperture	mm	5 x 20	5 x 20
Weight (Approximate)	g	250	
Transverse Focal Length (Typical)	mm	25	
Image Plane Focal Length	mm	Variable	
Focal Range	mm	3 – 58	
Frame Rate (Max)	Hz	>150	

Specifications

<p>OPERATIONAL FACILITIES Two built-in control buttons</p> <p>SAFETY Designed and tested in accordance with current version of EN60601-1 (IEC60601-1) "Medical Electrical Equipment, Part 1". When used with BK Medical's systems, Type BF requirements are met.</p> <p>ENVIRONMENTAL Operating Pressure: 700–1060 hPa (normal atmospheric pressure) Operating Temperature: +10 to +40 °C (+50 to +104 °F) Storage Temperature: -25 to +70 °C (-13 to +158 °F)</p> <p>REPROCESSING</p> <ul style="list-style-type: none"> The reprocessing temperature should not exceed +60 °C. Complete details and procedures can be found in <i>Care and Cleaning</i>. Follow manufacturer's instructions for use. 	<p>VALIDATED CLEANING AND DISINFECTION For all cleaning and disinfection methods except wiping, plug must be covered.</p> <p>Manual Cleaning 3E-Zyme™</p> <p>Manual Disinfection Ethanol 70% (wiping) Korsorex® Basic Revital-Ox™ RESERT®/RESERT® XL HLD Tristel® Fuse for Stella</p> <p>Automatic Disinfection¹ MEDIVATORS® Advantage® Plus, with:</p> <ul style="list-style-type: none"> MEDIVATORS Intercept® Detergent MEDIVATORS Rapicide® PA 70% Isopropanol Flush <p>VALIDATED STERILIZATION¹ Immersion Methods (plug must be covered) STERIS® SYSTEM 1®, SYSTEM 1E®, SYSTEM 1 Plus, SYSTEM 1 Express</p> <p>Gas Processes (plug must be uncovered) STERIS® V-Pro™ STERRAD NX™ and 100NX Systems STERRAD 100S and 200 Systems</p>	<p>POWER SUPPLY Internally from system</p> <p>CABLE LENGTH 2.2 m (7.3 ft)</p> <p>¹ Automated reprocessing methods validated for 100 cycles.</p>
--	--	--

Ordering Information

<p>ACCESSORIES INCLUDED UA1325-w: Dummy Channel Bracket</p> <p>ACCESSORIES AVAILABLE KE4300: Carrying Case</p> <p>UA1414: Leakage Testing Kit</p> <p>UA1324: Perineal puncture attachment (bore diameter 2.1mm; angle of insertion 0° to the long axis of the transducer)</p> <p>UA1326¹: Biplane biopsy guide, reusable (bore diameter 1.6mm, angle of insertion 19° to the long axis of the transducer)</p> <p>UA1322-S¹: Biplane biopsy guide, sterile-packed single-use (pack of 18), (bore diameter 1.6mm, angle of insertion 19° to the long axis of the transducer)</p> <p>UA1322-S14¹: Biplane biopsy guide, sterile-packed single-use (pack of 18), (bore diameter 2.1mm, angle of insertion 19° to the long axis of the transducer)</p> <p>¹ Recommended needle length is 20 cm for anesthesia procedures and 25 cm for biopsy procedures</p>	<p>QZ0040: Single-use cleaning brush for needle guide</p> <p>UA2020: CIVCO Multi-purpose Workstation</p> <p>TRANSDUCER COVERS</p> <p>UA0008: CIV-Flex™ sterile, latex-free, 11.9 cm tapered to 3.8 x 61 cm (pack of 24)</p> <p>UA0032: Latex, non-sterile, 3.2 cm tapered to 1.9 x 32 cm (pack of 24)</p> <p>UA0069: Latex, sterile, 3.2 cm tapered to 1.9 x 32 cm (pack of 24)</p>	
---	--	--

Accessories

Perineal Puncture Guide UA1324



- **Dimensions:** 101 x 95 x 50 mm
- **Weight:** 125 g
- **Material:** AISI304 stainless steel

Reusable Simultaneous Biplane Biopsy Guide UA1326



- **Dimensions:** 116 x 42 x 28 mm
- **Weight:** 21 g
- **Materials:** PEI (Ultem), AISI304 & XCR12Ni17.7 stainless steel

Single-use Simultaneous Biplane Biopsy Guide UA1322-S/UA1322-S14



- **Dimensions:** 140 x 60 x 28 mm
- **Weight:** 13.5/13 g
- **Materials:** ABS (Terlux) & AISI304 stainless steel

Dummy Channel Bracket UA1325-w



- **Dimensions:** 110 x 24 x 28 mm
- **Weight:** 11 g
- **Materials:** Radel R-5100 & XCR12Ni17.7 stainless steel