

E14C4t Transducer

The E14C4t triplane transducer has three visionary planes that open the entire prostate for biopsies, examination and diagnosis.

- Using the unique dual biopsy guide, perform biplane and endfire biopsies without switching transducers
- Unique Smart™ buttons let you switch easily between biplane and endfire imaging. The buttons also freeze, print and store images with one press
- Sleek design minimizes patient discomfort, and ergonomic design improves operator comfort
- Advanced transducer connector designed for noise reduction in the ultrasound image and one-handed operation
- Perform quick, reliable puncture and biopsy procedures with our single-use and reusable needle guides
- Unique, fully-immersible transducer for easy sterilization



Fig. 1 E14C4t transducer

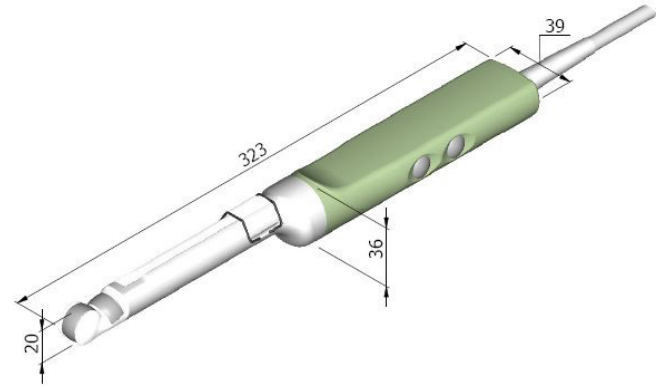


Fig. 2 Technical drawing and dimensions (mm)

Specifications

Transducer Name		E14C4t Transducer
Transducer Reference Type		9018
Compatible Ultrasound Systems		bk3000, bk5000 ¹
Applications (Typical)		Transrectal, Transvaginal
Basic Imaging Modes		B, M, CFM, Doppler, Tissue Harmonic Imaging, Elastography, Contrast Imaging ²
Imaging Planes		Transverse, Sagittal and Endfire
Weight (Approximate)	g	245
Acoustic Aperture	mm	34.4 x 5.5
Number of Elements		128 + 192
Radius of Curvature	mm	9.3
Transverse Focal Length (Typical)	mm	40
Image Plane Focal Length	mm	Variable
Image Field		Sector: 180°
Focal Range	mm	3 – 60
Frame Rate (Max)	Hz	60

¹ Use of E14C4t on the bk5000 has not been licensed by Health Canada.

² Contrast imaging on the bk3000 and bk5000 has not been licensed by Health Canada. Contrast –enhanced ultrasound has not been market cleared by the FDA for use in the USA, except for use in select cardiac applications.

Specifications

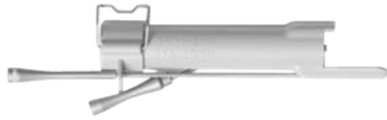
<p>OPERATIONAL FACILITIES Two built-in control buttons</p> <p>SAFETY Designed and tested in accordance with EN60601-1 (IEC60601-1), "Medical Electrical Equipment, General Requirements for Safety". When used with BK Medical's systems, Type BF requirements are met.</p> <p>ENVIRONMENTAL Operating Pressure: 700–1060 hPa (normal atmospheric pressure) Operating Temperature: +10 to +40 °C (+50 to +104 °F) Storage Temperature: -25 to +70 °C (-13 to +158 °F)</p> <p>REPROCESSING</p> <ul style="list-style-type: none"> The reprocessing temperature should not exceed +60 °C. Complete details and procedures can be found in <i>Care and Cleaning</i>. Follow manufacturer's instructions for use. 	<p>VALIDATED CLEANING AND DISINFECTION For all cleaning and disinfection methods except wiping, plug must be covered.</p> <p>Manual Cleaning 3E-Zyme™</p> <p>Manual Disinfection Ethanol 70% (wiping) Korsolex® Basic Steris® Resert Tristel® Fuse For Instruments</p> <p>Automatic Disinfection¹ MEDIVATORS® Advantage® Plus, with: <ul style="list-style-type: none"> MEDIVATORS Intercept® Detergent MEDIVATORS Rapicide® PA 70% Isopropanol Flush </p> <p>VALIDATED STERILIZATION¹ Immersion Methods (plug must be covered) STERIS® SYSTEM 1®², SYSTEM 1E®, SYSTEM 1 Plus², SYSTEM 1 Express</p> <p>Gas Processes (plug must be uncovered) STERIS® V-Pro™ STERRAD NX™ and 100NX Systems STERRAD 100S and 200 Systems</p>	<p>POWER SUPPLY Internally from system</p> <p>CABLE LENGTH 2.2 m (7.3 ft)</p> <p>¹ Automated reprocessing methods validated for 100 cycles. ² STERIS SYSTEM 1® is not market cleared in the USA.</p>
---	---	--

Ordering Information

<p>ACCESSORIES INCLUDED UA1325-w: Dummy Channel Bracket</p> <p>ACCESSORIES AVAILABLE</p> <p>KE4300: Carrying Case</p> <p>QZ0040: Cleaning Brush, for needle guide</p> <p>UA1414: Leakage Testing Kit</p> <p>UA2020: CIVCO Multi-Purpose Workstation</p> <p>UA0513: Magnetic Wheel Mover for 3D Imaging</p> <p>UA0512: Mover Adapter Ring for use with UA0513</p> <p>Endfire Biopsy Guides¹ UA1327: Reusable (bore diameter 1.6 mm; angle of insertion 0° to the long axis of the transducer) UA1323-S²: Single-use, sterile-packed (pack of 18)</p>	<p>Simultaneous Biplane Biopsy Guides¹ UA1326: Reusable (bore diameter 1.6 mm; angle of insertion 19° to the long axis of the transducer) UA1322-S²: Single-use, sterile-packed (pack of 18) UA1322-S14²: Single-use, sterile-packed (bore diameter of 2.1 mm; angle of insertion 19° to the long axis of the transducer. (pack of 18; 14 gauge)</p> <p>Dual Biopsy Guides¹ UA1328: Reusable (bore diameter 1.6 mm; angle of insertion 0° and 19° to the long axis of the transducer) UA1329-S²: Single-use, sterile-packed (pack of 18)</p> <p>Perineal Puncture Guide UA1324: Reusable perineal puncture attachment (bore diameter 2.1 mm; angle of insertion 0° to the long axis of the transducer)</p>	<p>TRANSDUCER COVERS UA0008: CIV-Flex™ cover, sterile, latex-free, 11.9 cm tapered to 3.8 x 61 cm (pack of 24) UA0032: Tapered cover, non-sterile, latex, 3.2 cm tapered to 1.9 x 32 cm (pack of 24) UA0069: Tapered cover, sterile, latex, 3.2 cm tapered to 1.9 x 32 cm (pack of 24)</p> <p>¹ All biopsy guides include needle guides. ² Recommended needle length is 20 cm for anesthetic procedures and 25 cm for biopsy procedures.</p>
--	--	---

Accessories

Reusable Dual Biopsy Guide UA1328



- **Dimensions:** 180 x 42 x 28 mm
- **Weight:** 30 g
- **Materials:** PEI (Ultem), AISI304 & XCR12Ni17.7 stainless steel

Single-use Dual Biopsy Guide UA1329-S



- **Dimensions:** 180 x 60 x 28 mm
- **Weight:** 16 g
- **Materials:** ABS (Terlux) & AISI304 stainless steel

Reusable Simultaneous Biplane Biopsy Guide UA1326



- **Dimensions:** 116 x 42 x 28 mm
- **Weight:** 21 g
- **Materials:** PEI (Ultem), AISI304 & XCR12Ni17.7 stainless steel

Single-use Simultaneous Biplane Biopsy Guide UA1322-S/UA1322-S14



- **Dimensions:** 140 x 60 x 28 mm
- **Weight:** 13.5/13 g
- **Materials:** ABS (Terlux) & AISI304 stainless steel

Reusable Endfire Biopsy Guide UA1327



- **Dimensions:** 150 x 28 x 28 mm
- **Weight:** 18 g
- **Materials:** PEI (Ultem), AISI304 & XCR12Ni17.7 stainless steel

Single-use Endfire Biopsy Guide UA1323-S



- **Dimensions:** 150 x 450 x 28 mm
- **Weight:** 12 g
- **Materials:** ABS (Terlux) & AISI304 stainless steel

Perineal Puncture Guide UA1324



- **Dimensions:** 101 x 95 x 50 mm
- **Weight:** 125 g
- **Material:** AISI304 stainless steel

Dummy Channel Bracket UA1325-w



- **Dimensions:** 110 x 24 x 28 mm
- **Weight:** 11 g
- **Materials:** PEI (Ultem) & XCR12Ni17.7 stainless steel

 BK Medical ApS, Mileparken 34, 2730 Herlev, Denmark. T +45 4452 8100 F +45 4452 8199



powered by analogic 

BK Ultrasound
8 Centennial Drive
Peabody
MA 01960
USA
T +1 978-326-4000
bkultrasound.com

Sales and Service USA
BK Ultrasound
8 Centennial Drive
Peabody
MA 01960
USA
T +1 978-326-1300
F +1 978-326-1399
bkultrasound.com

Europe and Rest of World
BK Ultrasound
Mileparken 34
2730 Herlev
Denmark
T +45 4452 8100
F +45 4452 8199
bkultrasound.com

Asia
Analogic Medical Equipment
(Shanghai) Co., Ltd.
1377, Lan Dian Road,
Pu Dong New District,
Shanghai, China 201132
bkultrasound.com

The name Analogic is a registered trademark of Analogic Corporation. The globe logo is a trademark of Analogic Corporation.