

Rob12C4 (9096) Transducer

The Rob12C4 drop-in transducer enables unique access to complex organs and difficult-to-access anatomy during robotic-assisted procedures.

- Small and compact, the drop-in linear curved array transducer enables a wider field of view for faster kidney navigation
- The highly flexible 3.5 m cable and small profile help reach difficult-to-access anatomy
- The specially designed fin can be grasped by the robotic arm, ensuring maximum control and organ contact
- Advanced transducer connector designed for noise reduction in the ultrasound image and one-handed operation
- Unique, fully immersible transducer for easy sterilization



Fig. 1 Rob12C4 transducer

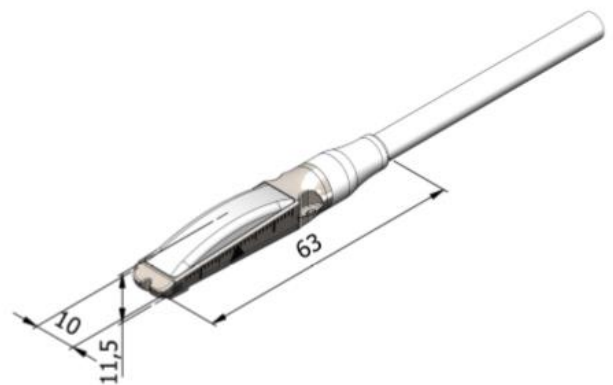


Fig. 2 Rob12C4 Technical drawing and dimensions (mm)

Specifications

Transducer Name		Rob12C4 ¹
Transducer Reference Type		9096
Compatible Ultrasound Systems		bk5000, bkActiv
Applications (Typical)		Intraoperative ²
Basic Imaging Modes		B, M, CFM, Doppler, Tissue Harmonic Imaging, Contrast Imaging, Strain Elastography
Weight (Approximate)	g	25
Acoustic Aperture	mm	5 x 29.9
Contact Surface (Overall)	mm	9 x 33.2
Number of Elements		95
Radius of Curvature	mm	48
Transverse Focal Length (Typical)	mm	25
Image Field		Sector 36°
Focal Range	mm	10 – 80
Frame Rate (Max)	Hz	>200

¹Rob12C4 has not been licensed by Health Canada.

²Pancreas, kidney, liver, uterus.

Should any serious incident occur in relation to this device, you should report this to the manufacturer and your local regulatory authority.

Specifications

<p>SAFETY Designed and tested in accordance with current version of EN60601-1 (IEC60601-1) "Medical Electrical Equipment, Part 1". When used with BK Medical's systems, Type BF requirements are met.</p> <p>ENVIRONMENTAL Operating Pressure: 700–1060 hPa (normal atmospheric pressure) Operating Temperature: +10 to +40 °C (+50 to +104 °F) Storage Temperature: -25 to +70 °C (-13 to +158 °F)</p> <p>REPROCESSING</p> <ul style="list-style-type: none"> • The reprocessing temperature should not exceed +60 °C. • Complete details and procedures can be found in <i>Care and Cleaning</i>. • Follow manufacturer's instructions for use. 	<p>VALIDATED CLEANING AND DISINFECTION For all cleaning and disinfection methods except wiping, plug must be covered.</p> <p>Manual Cleaning 3E-Zyme™</p> <p>Manual Disinfection Ethanol 70% (wiping) Korsorex® Basic Steris Resert Tristel® Fuse for Stella</p> <p>VALIDATED STERILIZATION¹ Immersion Methods (plug must be covered) STERIS® SYSTEM 1®, SYSTEM 1E®, SYSTEM 1 Plus, SYSTEM 1 Express</p> <p>Gas Processes (plug must be uncovered) STERIS® V-Pro™ STERRAD NX™ and 100NX Systems STERRAD 100S and 200 Systems</p>	<p>POWER SUPPLY Internally from system</p> <p>CABLE LENGTH 3.5 m (11.5 ft)</p> <p>¹Automated reprocessing methods validated for 100 cycles.</p>
----------------------------------------------------------------------------------------------------------------------------------------------------------------------------------------------------------------------------------------------------------------------------------------------------------------------------------------------------------------------------------------------------------------------------------------------------------------------------------------------------------------------------------------------------------------------------------------------------------------------------------------------------------------------------------------------------------------------------------------------------------	-----------------------------------------------------------------------------------------------------------------------------------------------------------------------------------------------------------------------------------------------------------------------------------------------------------------------------------------------------------------------------------------------------------------------------------------------------------------------------------------------------------------------------------------------------------------------------------------------------------------------------------	----------------------------------------------------------------------------------------------------------------------------------------------------------------------------------

Ordering Information

<p>ACCESSORIES AVAILABLE</p> <p>KE4300: Carrying Case</p> <p>UA1414: Leakage Testing Kit</p> <p>UA2505: Reprocessing Tray</p>	<p>TRANSDUCER COVERS¹</p> <p>UA0067²: Sterile, latex-free laparoscopic covers, telescopically-folded. 15.2 x 244 cm (pack of 12)</p>	<p>¹Manufacturer: CIVCO Medical Solutions. ²Not suitable for robotic surgery.</p>
--------------------------------------------------------------------------------------------------------------------------------------	-------------------------------------------------------------------------------------------------------------------------------------------------------------------	-------------------------------------------------------------------------------------------------------------

English source version
16-122762-EN-02

 BK Medical ApS, Mileparken 34, 2730 Herlev, Denmark. T +45 4452 8100 F +45 4452 8199



BK Medical
8 Centennial Drive
Peabody
MA01960
USA
T + 1 978-326-1300
bkmedical.com

**USA
Sales & Service**
BK Medical
8 Centennial Drive
Peabody
MA01960
USA
T + 1 978-326-1300
F + 1 978-326-1399
bkmedical.com

**Europe and Rest of World
Sales, Service & Design Center**
BK Medical
Mileparken 34
2730 Herlev
Denmark
T +45 4452 8100
F +45 4452 8199
bkmedical.com