

## X14L4 (9038) Transducer

The X14L4 is a high resolution 3D transducer ideal for precise volume studies and for imaging the anterior and posterior compartments of the pelvic floor.

- 360°, high-resolution transducer with built-in 3D imaging for anorectal, endovaginal and transrectal applications
- Fully encapsulated transducer means that no moving parts are in contact with the patient
- Long linear array ideal for dynamic endovaginal imaging of the urethra
- Transducer integrated Smart™ button allows you to easily activate, freeze, print and store images
- Sleek design minimizes patient discomfort, and ergonomic design improves operator comfort
- Advanced transducer connector designed to reduce noise in the ultrasound image, and for convenient one-handed operation
- Unique, fully-immersible transducer for easy sterilization



Fig. 1 X14L4 transducer

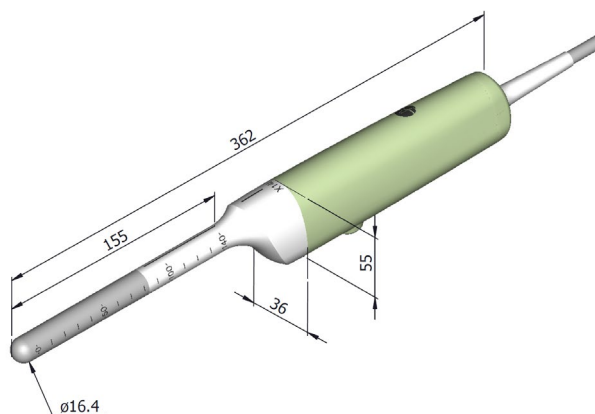


Fig. 2 Technical drawing and dimensions (mm)