

I12C4f (9066) Transducer

High resolution laparoscopic transducer I12C4f is ideal for liver and pancreas imaging. The 4-way flexible tip allows good organ contact and access to difficult to reach areas.

- 4-way adjustable flexible tip and ergonomically designed controls for easy maneuvering of the imaging head
- Scans with rigid transducer using optional No-Flex™ attachment
- Advanced transducer connector designed for one hand operation as well as reducing noise in the ultrasound image
- Unique, fully-immersible transducer for easy sterilization



Fig. 1 I12C4f transducer

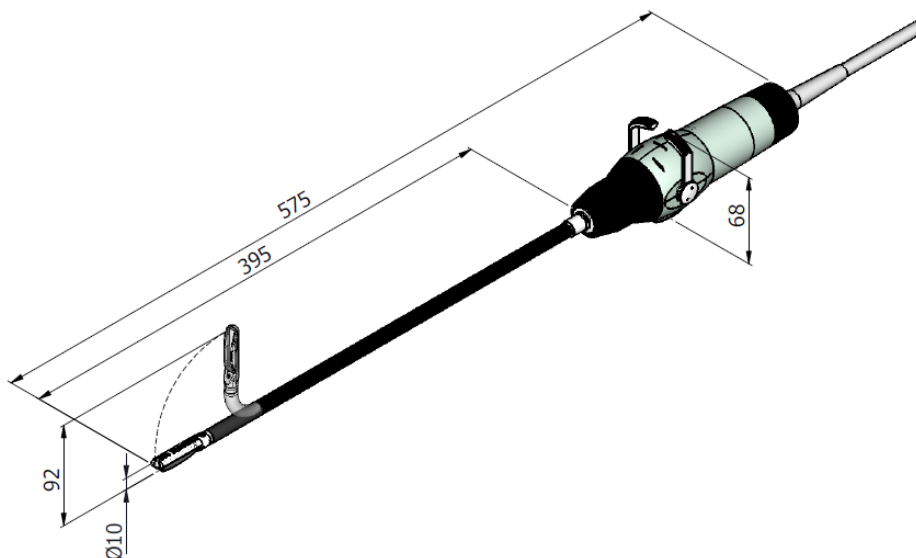


Fig. 2 Technical drawing and dimensions (mm)

Specifications

Transducer Name		I12C4f
Transducer Reference Type		9066
Compatible Ultrasound Systems		bk5000
Applications (Typical)		Intraoperative ¹
Basic Imaging Modes		B, M, CFM, Doppler, Tissue Harmonic Imaging, Contrast Imaging, Elastography
Weight (Approximate)	g	475
Acoustic Aperture	mm	5 x 29.9
Contact Surface (Overall)	mm	9 x 33.2
Number of Elements		95
Radius of Curvature	mm	48
Transverse Focal Length (Typical)	mm	23
Image Field		Sector 36° Expanded sector 66°
Focal Range	mm	10 – 80
Frame Rate (Max)	Hz	>150

¹ Laparoscopic procedures for abdominal region. Liver, biliary, pancreas, kidney, stomach, uterus.

Specifications

<p>SAFETY Designed and tested in accordance with current version of EN60601-1 (IEC60601-1), "Medical Electrical Equipment, Part 1". When used with BK Medical's systems, Type BF requirements are met.</p> <p>ENVIRONMENTAL Operating Pressure: 700–1060 hPa (normal atmospheric pressure) Operating Temperature: +10 to +40 °C (+50 to +104 °F) Storage Temperature: -25 to +70 °C (-13 to +158 °F)</p> <p>REPROCESSING</p> <ul style="list-style-type: none"> • The reprocessing temperature should not exceed +60 °C (+140 °F). • Complete details and procedures can be found in <i>Care and Cleaning</i>. • Follow manufacturer's instructions for use. 	<p>VALIDATED CLEANING AND DISINFECTION For all cleaning and disinfection methods except wiping, plug must be covered.</p> <p>Manual Cleaning 3E-Zyme™</p> <p>Manual Disinfection Ethanol 70% (wiping) Korsolex® Basic Revital-Ox™ RESERT®/RESERT® XL HLD</p> <p>VALIDATED STERILIZATION¹ Immersion Methods (plug must be covered) STERIS® SYSTEM 1®, SYSTEM 1E®, SYSTEM 1 Plus, SYSTEM 1 Express</p> <p>Gas Processes (plug must be uncovered) STERIS® V-Pro™ Systems STERRAD NX™ and 100NX Systems STERRAD 100S and 200 Systems</p>	<p>POWER SUPPLY Internally from system</p> <p>CABLE LENGTH 3 m (9.8 ft)</p> <p>¹ Automated reprocessing methods validated for 100 cycles.</p>
---	---	--

Ordering Information

<p>ACCESSORIES AVAILABLE</p> <p>KE4300: Carrying Case</p> <p>UA1414: Leakage Testing Kit</p> <p>UA1166: Reusable No-Flex™ Attachment</p> <p>UA2432: Reprocessing Tray</p> <p>QZ0040: Single-Use Cleaning Brush, thin</p>	<p>TRANSDUCER COVERS</p> <p>UA0067: Sterile, latex-free laparoscopic covers, telescopically-folded. 15.2x244 (pack of 12)</p>	
---	--	--

Accessories



 BK Medical ApS, Mileparken 34, 2730 Herlev, Denmark. T +45 4452 8100 F +45 4452 8199



BK Medical
8 Centennial Drive
Peabody
MA01960
USA
T + 1 978-326-1300
bkmedical.com

**USA
Sales & Service**
BK Medical
8 Centennial Drive
Peabody
MA01960
USA
T + 1 978-326-1300
F + 1 978-326-1399
bkmedical.com

**Europe and Rest of World
Sales, Service & Design Center**
BK Medical
Mileparken 34
2730 Herlev
Denmark
T +45 4452 8100
F +45 4452 8199
bkmedical.com

**China
Sales & Service**
Analogic Medical Equipment (Shanghai) Co., Ltd.
1377, Lan Dian Road
Pu Dong New District Shanghai
China 201132
T +86 21 2089 0333
bkmedical.com
T +86 21 2089 0333
bkmedical.com