

## X18L5s (9009) Transducer

The X18L5s high-resolution 'hockey stick' transducer is ideal for vascular imaging.

- Unique, small, and flexible tip accesses hard-to-reach areas
- Transducer integrated Smart Button™ allows you to easily activate, freeze, print, and store images
- Ergonomic design to improve operator comfort
- Advanced transducer connector designed to reduce noise in the ultrasound image, and for convenient one-handed operation
- Unique, fully immersible transducer for easy sterilization



Fig.1 X18L5s transducer

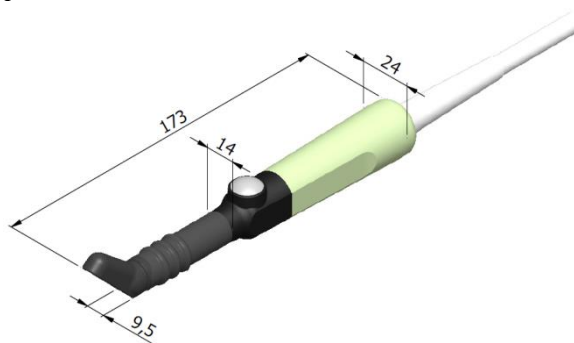


Fig.2 Technical drawing and dimensions (mm)

## Specifications

<b>Transducer Name</b>		X18L5s
<b>Transducer Reference Type</b>		9009
<b>Compatible Ultrasound Systems</b>		bkSpecto, bk3000, bk5000, bkActiv
<b>Applications (Typical)</b>		Intraoperative <sup>1</sup> , Intraoperative (neuro) <sup>2,3</sup> , Peripheral Vessel (Peripheral Vascular), Small Organ (Small Parts), Musculoskeletal (Superficial and Conventional)
<b>Basic Imaging Modes</b>		B, M, Doppler, CFM, Strain Elastography <sup>4,5</sup>
<b>Weight (Approximate)</b>	g	80
<b>Acoustic Aperture</b>	mm	3.5 x 24
<b>Contact Surface (Overall)</b>	mm	9 x 32
<b>Number of Elements</b>		150
<b>Radius of Curvature</b>	mm	Linear
<b>Transverse Focal Length (Typical)</b>	mm	15
<b>Image Plane Focal Length</b>	mm	Variable
<b>Image Field</b>		Trapezoidal: 24.0 mm wide + expansion angle 2 x 15°
<b>Focal Range</b>	mm	5 - 60
<b>Frame Rate (Max)</b>	Hz	>150

<sup>1</sup> Use of the X18L5s for intraoperative has not been cleared by Health Canada for use on common carotid arteries.

<sup>2</sup> Use of the X18L5s for Intraoperative (neuro) is pending CE-mark.

<sup>3</sup> Intraoperative (neuro) only supported on bk5000 and bkActiv

<sup>4</sup> Use of the X18L5s for strain elastography is pending CE-mark.

<sup>5</sup> Imaging mode is not available on the bkSpecto in Japan.

Should any serious incident occur in relation to this device, you should report this to the manufacturer and your local regulatory authority.

## Specifications

<p><b>OPERATIONAL FACILITIES</b> Built-in control button.</p> <p><b>SAFETY</b> Designed and tested in accordance with current version of EN60601-1 (IEC60601-1) "Medical Electrical Equipment, Part 1". When used with BK Medical's systems, Type BF requirements are met.</p> <p><b>ENVIRONMENTAL</b> <b>Operating Pressure:</b> 700–1060 hPa (normal atmospheric pressure) <b>Operating Temperature:</b> +10 to +40 °C (+50 to +104 °F) <b>Storage Temperature:</b> -25 to +70 °C (-13 to +158 °F)</p> <p><b>REPROCESSING</b></p> <ul style="list-style-type: none"> <li>• The reprocessing temperature should not exceed +60 °C.</li> <li>• Complete details and procedures can be found in <i>Care and Cleaning</i>.</li> <li>• Follow manufacturer's instructions for use.</li> </ul>	<p><b>VALIDATED CLEANING AND DISINFECTION</b> For all cleaning and disinfection methods except wiping, plug must be covered.</p> <p><b>Manual Cleaning</b> 3E-Zyme™</p> <p><b>Manual Disinfection</b> Ethanol 70% (wiping) Korsolex® Basic Tristel® Fuse for Stella</p> <p><b>Automated Disinfection</b><sup>1, 2</sup> MEDIVATORS® Advantage® Plus, with:</p> <ul style="list-style-type: none"> <li>• MEDIVATORS Intercept® Detergent</li> <li>• MEDIVATORS Rapicide® PA</li> <li>• 70% Isopropanol Flush</li> </ul> <p><b>VALIDATED STERILIZATION</b><sup>2</sup> <b>Immersion Methods (plug must be covered)</b> STERIS® SYSTEM 1®, SYSTEM 1E®</p> <p><b>Gas Processes (plug must be uncovered)</b> STERIS® V-Pro™ STERRAD NX™ and 100NX Systems STERRAD 100S and 200 Systems</p>	<p><b>POWER SUPPLY</b> Internally from system</p> <p><b>CABLE LENGTH</b> 2.2 m (7.2 ft)</p> <p><sup>1</sup> Use of Automated disinfection with X18L5s has not been CE-marked. <sup>2</sup> Automated reprocessing methods validated for 100 cycles.</p>
--	---	---

## Ordering Information

<p><b>ACCESSORIES AVAILABLE</b></p> <p>KE4300: Carrying Case</p> <p>UA1414: Leakage Testing Kit</p> <p>UA2502: Reprocessing Tray</p>	<p><b>TRANSDUCER COVERS</b><sup>1, 2</sup></p> <p>UA0075: NeoGuard™, sterile, latex-free, 15.2 x 244 cm (pack of 12)</p> <p>UA0008<sup>3</sup>: CIV-Flex™, sterile, latex-free 11.9 cm tapered to 3.8 x 61 cm (pack of 24 with gel packet)</p> <p>UA0004<sup>3</sup>: Cable cover, sterile, latex-free, 7.6 x 244 cm (pack of 24)</p>	<p><sup>1</sup> Not for Neurosurgical use. <sup>2</sup> Manufacturer: CIVCO Medical Solutions. <sup>3</sup> Must be used together.</p>
--	---	--

English source version  
16-01307-EN-11

 BK Medical ApS, Mileparken 34, 2730 Herlev, Denmark. T +45 4452 8100 F +45 4452 8199



**BK Medical**  
8 Centennial Drive  
Peabody  
MA01960  
USA  
T + 1 978-326-1300  
bkmedical.com

**USA  
Sales & Service**  
BK Medical  
8 Centennial Drive  
Peabody  
MA01960  
USA  
T + 1 978-326-1300  
F + 1 978-326-1399  
bkmedical.com

**Europe and Rest of World  
Sales, Service & Design Center**  
BK Medical  
Mileparken 34  
2730 Herlev  
Denmark  
T +45 4452 8100  
F +45 4452 8199  
bkmedical.com